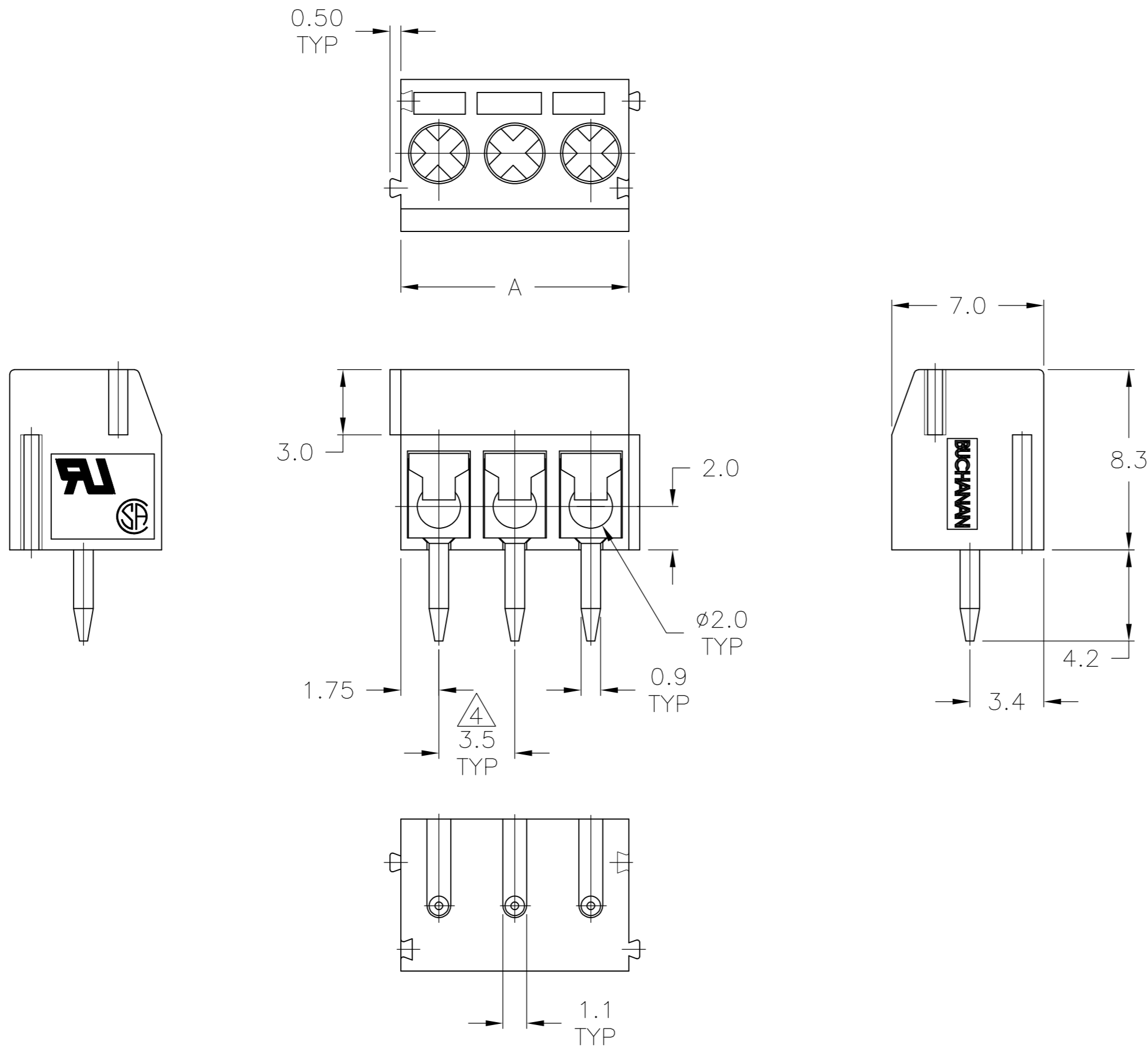


THIS DRAWING IS UNPUBLISHED. RELEASED FOR PUBLICATION
 © COPYRIGHT BY TYCO ELECTRONICS CORPORATION. ALL INTERNATIONAL RIGHTS RESERVED.

LOC	DIST	REVISIONS					
		P	LTR	DESCRIPTION	DATE	DWN	APVD
FT	0		03	REVISED PER ECO-08-021200	26AUG08	HMR	CR

- ALL DIMENSIONS ARE IN MM.
 - RECOMMENDED PC BOARD HOLE DIAMETER: 1.20-1.40.
 - BUCHANAN LOGO TO APPEAR ON HOUSING LOCATION OPTIONAL WHERE SPACE PERMITS.
- ⚠️ NON CUMULATIVE



HOUSING COLOR	DIM A	NO OF POSN	PART NUMBER
BLACK	42.00	12	4-1776275-2
BLACK	28.00	8	3-1776275-8
BLUE	84.00	24	2-1776275-4
BLUE	80.50	23	2-1776275-3
BLUE	77.00	22	2-1776275-2
BLUE	73.50	21	2-1776275-1
BLUE	70.00	20	2-1776275-0
BLUE	66.50	19	1-1776275-9
BLUE	63.00	18	1-1776275-8
BLUE	59.50	17	1-1776275-7
BLUE	56.00	16	1-1776275-6
BLUE	52.50	15	1-1776275-5
BLUE	49.00	14	1-1776275-4
BLUE	45.50	13	1-1776275-3
BLUE	42.00	12	1-1776275-2
BLUE	38.50	11	1-1776275-1
BLUE	35.00	10	1-1776275-0
BLUE	31.50	9	1776275-9
BLUE	28.00	8	1776275-8
BLUE	24.50	7	1776275-7
BLUE	21.00	6	1776275-6
BLUE	17.50	5	1776275-5
BLUE	14.00	4	1776275-4
BLUE	10.50	3	1776275-3
BLUE	7.00	2	1776275-2

THIS DRAWING IS A CONTROLLED DOCUMENT.		DWN S SCHLEGEL 5/5/05	Tyco Electronics Corporation	
DIMENSIONS: mm		CHK C RICHARD 5/5/05	Harrisburg, Pa 17105-3608	
TOLERANCES UNLESS OTHERWISE SPECIFIED:		APVD C RICHARD 5/5/05	NAME	
0 PLC ± -		PRODUCT SPEC	TERMINAL BLOCK, PCB MOUNT, STRAIGHT	
1 PLC ± 0.3		APPLICATION SPEC	SIDE WIRE ENTRY, W/ INTERLOCK,	
2 PLC ± 0.25		WEIGHT -	SIZE A2	CAGE CODE 00779
3 PLC ± -		CUSTOMER DRAWING	DRAWING NO C=1776275	RESTRICTED TO -
4 PLC ± -		SCALE 4:1	SHEET 1 OF 2	REV 03
ANGLES ± -				
FINISH -				

THIS DRAWING IS UNPUBLISHED. RELEASED FOR PUBLICATION
 © COPYRIGHT BY TYCO ELECTRONICS CORPORATION. ALL INTERNATIONAL RIGHTS RESERVED.

LOC	DIST	REVISIONS					
FT	0	P	LTR	DESCRIPTION	DATE	DWN	APVD
		-		SEE SHEET 1	-	-	-

1. APPLICATION AND FEATURES:

- 1-1. STANDARD SIZES ARE 2 AND 3 WAY-BLOCKS, BUT EVERY NUMBER OF CONTACT CAN BE COMBINED, BY SIMPLY PLUGGING THEM TOGETHER AND CAN BE ORDERED AS REQUIRED.
- 1-2. WITH WIRE GUARD FOR WIRE PROTECTION SO THAT THE SCREW DOESN'T PRESS DIRECTLY ON THE WIRE.

2. TECHNICAL DATA:


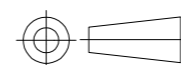
- 2-1. MATERIAL:
 - 2-1-1. HOUSING: NYON 6.6, UL 94 V-0, SEE TABLE.
 - 2-1-2. METAL HOUSING: BRASS(Cu Zn) Cu, Tin plated.
 - 2-1-3. WIRE GUARD: STAINLESS STEEL.
 - 2-1-4. SCREW: STEEL GALVANIZED AND CHROMATIZED, M2.6.

2-2. ELECTRICAL:

- 2-2-1. CURRENT RATING: RATING: 7 AMPS/WAY MAX.
- 2-2-2. CONTACT RESISTANCE: 20mohm (MAX).
- 2-2-3. INSULATION RESISTANCE: 5000Mohm/1000V.
- 2-2-4. WITHSTANDING VOLTAGE: 1500 VAC/MIN.
- 2-2-5. OPERATION VOLTAGE: 250 VAC.
- 2-2-6. WIRE RANGE: 18-26 AWG.

2.3. MECHANICAL:

- 2-3-1. TORQUE: 4 Kg.cm (MAX).
- 2-3-3. OPERATING TEMPERATURE: -55°C to +105°C.
- 2-3-4. SOLDERABILITY: 95% COVERAGE (MIN).

THIS DRAWING IS A CONTROLLED DOCUMENT.		DWN	S SCHLEGEL	5/5/05	 Tyco Electronics Corporation Harrisburg, Pa 17105-3608		
DIMENSIONS: mm		CHK	C RICHARD	5/5/05			
		APVD	C RICHARD	5/5/05			
TOLERANCES UNLESS OTHERWISE SPECIFIED: 0 PLC ± - 1 PLC ± 0.3 2 PLC ± 0.25 3 PLC ± - 4 PLC ± - ANGLES ± -		PRODUCT SPEC	NAME			TERMINAL BLOCK, PCB MOUNT, STRAIGHT SIDE WIRE ENTRY, W/ INTERLOCK, 3.5mm PITCH, HIGH TEMP	
MATERIAL	FINISH	WEIGHT	SIZE		CAGE CODE	DRAWING NO	RESTRICTED TO
-	-	-	A2		00779	C=1776275	-
CUSTOMER DRAWING				SCALE	4:1	SHEET	2 OF 2
				REV	03		

1776275